

THERMAL SERIES

The advantages of cameras in the thermal series are apparent: they don't depend on light conditions, provide constant imaging any time of day, and can penetrate haze and fog.

They're your all-weather, all-area, round-the-clock heat detector that can spot fire, monitor temperature, and even catch camouflaged people and vehicles when entering areas considered off-limits.

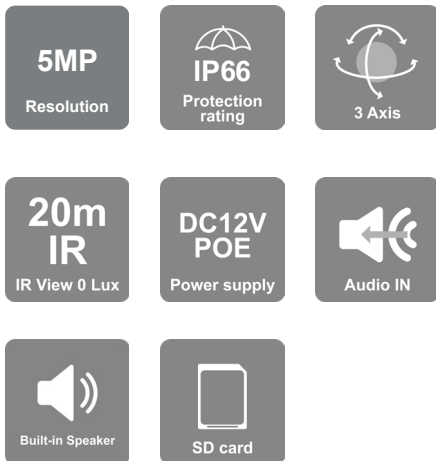


BMH-THERMAL-7

THERMAL/OPTICAL BI-SPECTRUM FIXED LENS BULLET CAMERA

Ideal for fire detection, temperature monitoring, and security surveillance, this 5MP Thermal camera can detect, alert and provide complete situational awareness in the most challenging environments. The BMH-THERMAL-7 incorporates an optic lens and a thermal module, allowing operators to monitor large areas in total darkness, glaring light, and adverse weather by combining thermal and visible light images. Equipped with our DDA™ Analytics (Detect, Distinguish, Alert) and active deterrence mechanisms (white strobe light and speaker), the BMH-THERMAL-7 delivers a strong and impactful tool for any installation.

Thermal | **SMART ALERT** | **DDA**
ACTIVE DETERRENCE CAMERAS | VIDEO ANALYTICS



MAIN FEATURES

- 5MP 2592×1944 Resolution
- Thermal
- Active Deterrence
- 3D-DNR
- IP66
- DDA Analytics
- Audio in + Built-in speaker
- white Strobe Light

ANALYTICS

- General Analytics: Camera Tampering
- AI (Optical Image):
 - DDA Sterile Area
 - DDA Line Crossing
 - DDA Object Counting
 - Face Detection (10 Faces per frame)
- AI (Thermal): DDA Sterile Area, DDA Line Crossing



SPECIFICATIONS

| | | |
|-------------------|--------------------------------|---|
| Video (Thermal) | Detector Type | 12µm Vanadium oxide uncooled focal plane detector |
| | Resolution | 256×192 |
| | Temperature Range | -20° - 150° C |
| | Spectral Range | 8µm-14µm |
| | Thermal Sensitivity (NETD) | ≤50mK(@25°C, F#=1.0) |
| | Color Sets | Black hot, White hot, Rainbow, iron oxide red, Lava |
| | Temperature Detection Distance | 7.7m (Object size is 0.1m * 0.1m) In Theory: when the size of the object is doubled - the detection distance is also doubled |
| | Fire Detection Distance | 24m (Flame size is 0.1m * 0.1m) In Theory: when the size of the flame is doubled - the detection distance is also doubled |
| | DRI Distance Human | Detection: 292m(958ft) Recognition: 73m(240ft) Identification: 36m(118ft) |
| | DRI Distance Vehicle | Detection: 894m (2933ft) Recognition: 224m(735ft) Identification: 112m(367ft) |
| Video (Optical) | Image Sensor | 1/2.7" CMOS |
| | Effective Pixels | 2592x1944 |
| | Electronic Shutter | 1/23s ~ 1/100000s |
| | Frame Rate | 1-25/30FPS |
| | Day & Night | ICR |
| | Min. Illumination | Day: 0.1lux / Night: 0.03lux (@F1.6, AGC on) 0lux with IR on |
| Audio | Audio compression | G.711A/G.711U |
| | Communication | 2-Way Audio |
| | Image Settings | AWB, AGC Adjustable, Exposure Mode (Auto) Sharpness, Saturation, Brightness & Contrast Adjustable, Lens distortion correction |
| Image Enhancement | Image Enhancement | True WDR (120dB), BLC, HLC, ROI |
| | Noise Reduction | 3D-DNR |
| | Image Orientation | Mirror/Flip |
| | Privacy Zone | Yes |
| | Motion Detection | Yes |
| | Analytics | General Analytics: Camera Tampering AI (Optical Image): DDA Sterile Area, DDA Line Crossing, DDA Object Counting, Face Detection (10 Faces per frame) AI (Thermal): DDA Sterile Area, DDA Line Crossing |

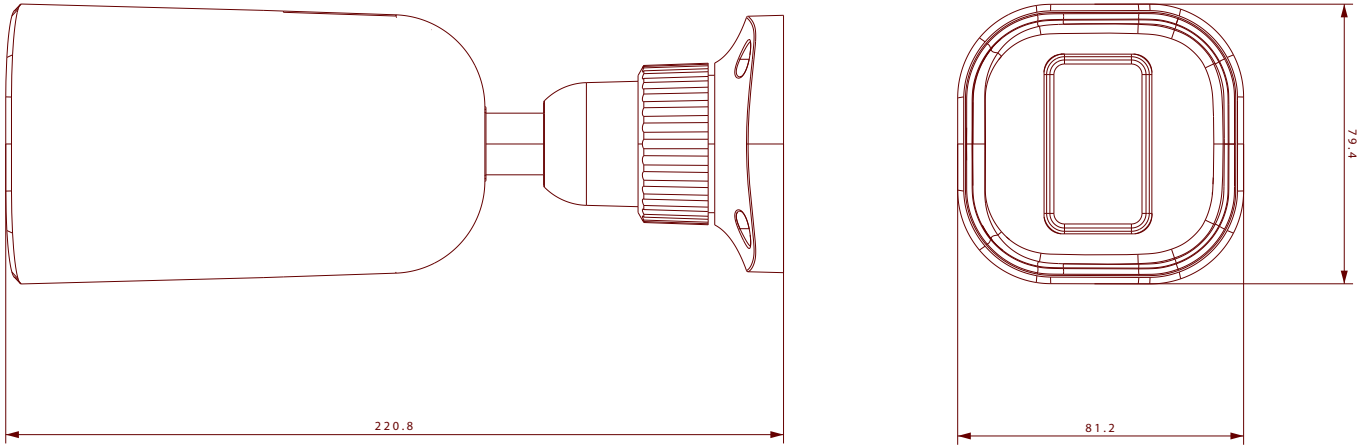
SPECIFICATIONS

| | | |
|----------------------|-------------------|---|
| Compression | Video Compression | H.265/H.264/MJPEG |
| | Resolution | 5MP / 4MP / 2K / 3MP / 2MP / 1MP / D1 / QVGA / CIF / QCIF |
| | Multi-Stream | Master Stream: 5MP(2592x1944) / 4MP(2592x1520) / 2K (2560x1440) / 3MP / 2MP / 1MP Substream: 1MP / D1 / CIF / QCIF Third Stream: D1 / CIF / QCIF (1~30fps) Thermal Stream: 1MP / D1 / CIF / QCIF |
| | Bit rate | 64Kbps ~ 11Mbps@H.265 / 64Kbps ~ 11Mbps@H.264 |
| | Encode Mode | VBR/CBR |
| | Image Quality | Five levels under VBR; Free adjustment under CBR |
| | Housing | Bracket |
| IR Distance | | 20m (2 High-Power IR LED) White Strobe light |
| Lens (Field of View) | | Optical: 8mm (37°) Thermal: 7mm (26°) |
| Iris | | Fixed Iris |
| Lens Mount | | Ø14 Mount |
| Protection Rate | | Water Proof: IP66 |
| Weight(gross) | | ~700g |
| Network | | RJ45 (+PoE) |
| Power | | PoE / DC Socket |
| Analog Video Output | | No |
| Audio Connectivity | | Built-in speaker + Audio input |
| SD Card | | Event/Schedule based Main/Substream recording (Up to 256Gb) |
| Hard Reset Button | | Yes |
| Alarm | | Alarm in + Alarm out |

SPECIFICATIONS

| | | |
|---------|-------------------|--|
| | Remote Monitoring | IE Browsing, Ossia VMS Software, Provision Cam2 Mobile App |
| | User Access | Supports simultaneous monitoring of up to 10 users with multi-stream real-time transmission |
| Network | Network Protocol | IPv4, IPv6, TCP, UDP, DHCP, NTP, DDNS, 802.1X, RTSP, Multicast, UPnP, Email, FTP, HTTPS, QoS, RTMP, HTTP POST, P2P |
| | ONVIF | Yes |
| | Ethernet | 100Mbps |
| | PoE | Yes |
| | Power Supply | DC12V/~750mA / PoE/~9W |
| | Work Environment | -30°C~60°C, 10%~90% Humidity |
| | Junction Box | PR-JB12IP66 - PR-JB12IP64 |

DIMENSIONS



ACCESSORIES

